

Allow floor to dry for a minimum of 12 hours before removing all the spacers and allowing foot traffic. Finally, install the transition pieces, baseboards and/or, quarter round moldings.

COMPLETING THE JOB – ALL INSTALLATION

- Clean the floor with wood Floor Cleaner. Please ensure that any adhesive on the finish is cleaned before leaving. Dried or cured adhesive cannot be removed.
- Install transition pieces.
- Inspect final floor for nicks or minor gaps and fill with appropriate color wood putty.
- Use plywood or hardboard when moving heavy appliances or furniture across floor.

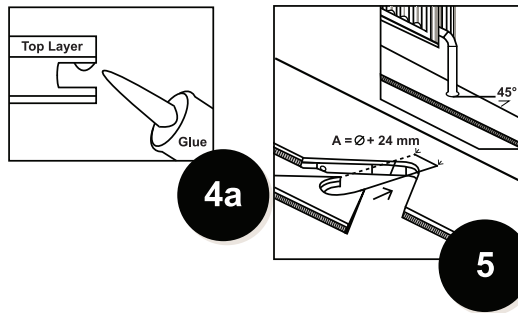
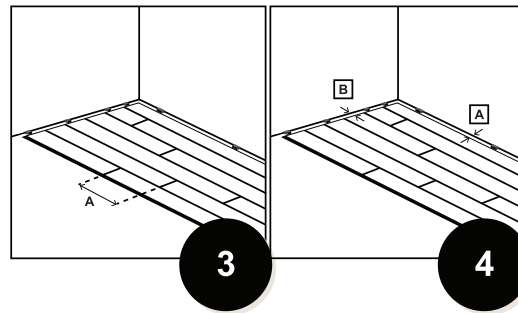
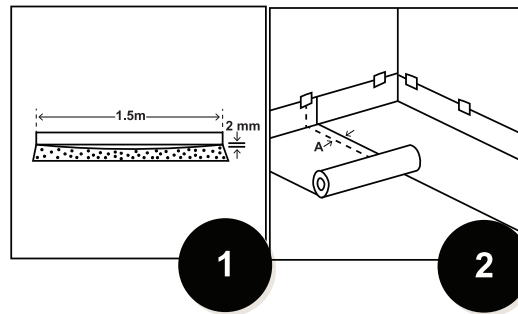
MAINTENANCE STEPS

CLEANING

- Use a damp cloth to blot up spills and spots as soon as they happen. For tough spots such as oil, paint, markers, lipstick, ink, tar or cigarette marks, use acetone/nail polish remover then wipe with a damp cloth. Always avoid allowing liquids to stand on your floor.
- Regularly vacuum, (using the hard floor attachment not the beater bar), dust mop or sweep the floor to prevent sand or abrasive dust from accumulating and scratching the finish.
- Periodically clean the floor with Estaparket cleaner or approved wood floor cleaner, which are specially formulated for the finish.
- Do not use oil based, wax, polish, or strong ammoniated or abrasive cleaners, steel wool or scouring powder to clean the floor.
- Do not wash or wet-mop the floor with soap, water, oil soap detergent or any other liquid cleaning material. This could cause swelling warping, delaminating and joint-line separation, and void the warranty.
- **DO NOT** use any type of polisher.

PROTECTING

- Use quality area rugs and doormats by outdoor entrance areas to prevent dirt, sand, grit and other substances such as oil, asphalt or driveway sealer from being tracked onto your floor.
- Sweep, dust or vacuum the floor regularly to prevent accumulation of dirt or grit that can scratch or dull the floor finish.
- Use floor protectors and wide bearing leg bases/rollers to minimize indentations and scratches from heavy objects. As a rule of thumb, the heavier the object, the wider the floor protector should be.
- Do not use rubber or foam backed plastic mats as they may discolor the floor. To prevent slippage, use an approved vinyl rug underlayment.
- Maintain normal indoor relative humidity level between 40% and 55% throughout the year, to minimize the natural expansion and contraction of wood. Failure to provide adequate relative humidity in the home by the use of a humidifier or a dehumidifier will void the warranty.
- Avoid gouges or cuts in your floor from sharp objects. While your Estaparket floor is one of the most wear resistant floors on the market, sharp or pointed objects can nevertheless damage it.
- Don't walk on your floor with stiletto-style heels, spiked golf shoes or nails; they may cause indentations in your floor.
- Rearrange area rugs and furniture periodically so the floor ages evenly. UV sunlight will soften or darken the tone of different species of hardwood to varying degrees
- Use a dolly when moving heavy furniture or appliances. But first, put down a sheet of quarter inch plywood or Masonite to protect the floor. Never try to slide or roll heavy objects across the floor.
- Keep pet's nails trimmed, or consider "booties" available at pet stores.



Please visit our website for installation methods:
www.estaparket.eu



INSTALLATION INSTRUCTIONS

IMPORTANT: PROCEED WITH A VISUAL INSPECTION OF THE STRIPS BEFORE INSTALLATION. ONCE INSTALLED, THE STRIPS ARE CONSIDERED ACCEPTED BY THE INSTALLER AND THE OWNER. PLEASE READ THE ENTIRE INSTALLATION INSTRUCTIONS BEFORE PROCEEDING WITH THE INSTALLATION

OWNER / INSTALLER RESPONSIBILITY

Wood flooring is a beautiful and unique product of nature, which is characterized by distinctive variations in grain and color. These natural variations in color and grain are not flaws, but are a part of the natural beauty and uniqueness of wood flooring. These inherent variations should be expected and serve to enhance the natural beauty and enduring charm. Estaparket floors are manufactured in accordance with accepted industry standards, which permit a defect tolerance not to exceed 5%. The defects may be of a manufacturing or natural type.

- The installer assumes all responsibility for final inspection of product quality. This inspection of the whole flooring should be done before installation. Carefully examine the flooring for color, finish and quality before installing it. Use reasonable selectivity and hold out or cut off pieces with glaring defects whatever the cause. If the flooring is not acceptable, contact your dealer immediately.
- If installer doubts the grade selection, the manufacturing or finishing quality, and it cannot place the board in a less conspicuous place, or eliminate imperfection, he or she should not install it. Once the board is installed, it shall be considered as having been accepted by the installer and the owner, even if the letter is absent at the time of installation
- Before beginning installation of any wood flooring product, the installer must determine that the environment of the job site and the condition and type of the subfloor involved are acceptable, ensuring that it meets or exceeds all requirements which are stipulated in the Estaparket installation instructions which follow. Estaparket declines any responsibility for job failure resulting from or associated with inappropriate or improperly prepared subfloor or job site environment deficiencies.
- Prior to installation, the installer/owner has final inspection responsibility as to grade, manufacture and factory finish. The installer must use reasonable selectivity and hold out or cut off pieces with deficiencies.
- The use of stain, filler or putty stick for the correction of defects during installation should be accepted as normal procedure.
- Should an individual piece be doubtful as to grade, manufacture or factory finish, the installer should not use the piece.

- When Estaparket wood flooring is ordered, a 5 % allowance factor, depending on layout, must be added to the actual square footage amount needed. (Diagonal installations and/or board width of 5" and over may require up to a 10 % allowance factor.)
- Please note that engineered floors must be installed in environments of 40% to 55% relative humidity to prevent possible damage not covered by warranty. Installation of a humidifier or dehumidifier may be necessary. The floor is designed to perform in an environmentally controlled structure. Warranty exclusions are, but not limited to, surface checking resulting from low humidity, mildew or discoloration resulting from extreme sub-floor moisture.
- Also, make sure the floor planks is installed perpendicular to the floor joists.

Estaparket cannot be held liable for improper installation of its products or poor judgement by the installer. Estaparket assumes no labor or installation charges.

JOB SITE INSPECTION & ACCLIMATION

- This type of flooring can be installed below, equal or above ground level. Do not install in a bathroom.
- In a new construction, wood flooring should be one of the last items installed. All work involving water or moisture (plumbing, acoustical ceilings, dry wall taping, etc.) should be completed prior to wood flooring being installed. Heating and air systems should be fully operating maintaining a consistent room temperature at 16°C to 27°C (60-80° F) and a constant relative humidity of 40% to 55%.
- Flooring should not be delivered until the building has been closed in and cement work, plastering, painting and other materials are completely dry. Concrete and plaster should be cured and at least 60 days old. Check basements and underfloor crawl space to be sure that they are dry and well ventilated to avoid damage caused by moisture.
- Handle with care. Do not stand on ends. Store Estaparket flooring in a dry place being sure to provide at least a four- inch air space under and around cartons.
- Do not store directly on concrete or near outside walls. Cartons should be placed in the installation area.
- The humidity level of the house must be maintained between 40 % and 55 % all year long. Wood is a living product which reacts to humidity level variations. During summer, where the humidity level is at its highest point, the wood has a natural expansion and absorbs the humidity, these variations must be dealt with adequate dehumidification. As for winter, when the heating system is working, the humidity level is lower. It is then recommended to use a humidifier to minimize the extreme effects of shrinkage.



APPROVED SUBFLOORS

Type of subfloor	Floating	Stapled	Glued
Plywood 5/8" –OSB 23/32" (truss/joist of 16" c/c or less)	YES	YES	YES
Plywood 3/4" T&G –OSB 23/32" (truss/joist of 19,2" c/c or less)	YES	YES	YES
Concrete	YES	N/A	YES
Ceramic tiled floor, ter-razzo, slate and marble	YES	N/A	YES
(Concrete) Radiant Subfloor heating	YES	N/A	YES
Radiant heating (ply-wood)	YES	YES	YES

SUBFLOOR CONDITIONS

- **CLEAN** - Scraped or sanded, swept, free of wax, grease, paint, oil and other debris.
- **HORIZONTAL / FLAT** – Maximum tolerance of 5mm over 3 m (3/16" over 10') or 3mm over 2 m (1/8" over 6').
- Sand high areas or joints. If the floor is glued, fill the fill low areas with a latex additive cement surfacing product with a minimum resistance to compression of 20 000 kPa.
- Concrete Slabs (regardless of existing floor covering): Use an approved calibrated concrete Moisture Meter as a preliminary measurement for moisture. Concrete subfloors must be finished at least 30 days before performing a test. Acceptable verification methods: Perform a polyfilm test. Tape down 2' x 2' polyfilm squares (a clear garbage bag or plastic drop cloth will do) in several places on the floor. Wait 24-48 hours, and then check for the appearance of condensation on the inside of the bag or plastic for a darkening on the concrete subfloor. Either occurrence signals the likely presence of excess moisture, which needs other measures with the concrete moisture meter Traxem. The measure must not climb over 4.5 on the superior graduation.
- Wood Substrates: Test the moisture of the wood substrate using a calibrated moisture meter approved for testing wood moisture according to the meter manufacturer. The reading should not exceed 12%, or read more than a 4% difference than moisture content of products being installed.

RADIANT SUBFLOOR HEATING

- The heating system must be functional and working for at least 7 days prior to the floor installation.
- Stop the heating and let the floor cool down to ambient temperature for 3 or 4 hours before starting the floor installation.
- Immediately start the radiant heating system after the installation. The maximum variation in temperature should not be more than 5°C within 24 hours. The temperature of the finished surface cannot go over 27 °C (80 °F) at all times for the duration of the flooring's life span.
- Radiant heating systems usually procure a dry heat which can lower the ambient humidity level. It could be necessary to use a humidifier to maintain a recommended level of 40 % to 55 % and prevent any damage to the floor.
- Flooring installed on a radiant heating system must be glued at each end, in order to reduce the shrinkage in length. Apply a layer of recommended wood glue on the grooved side before inserting the strip.
- Exposed pipes must be covered with 3/8" (10 mm) plywood or a layer of concrete to ensure even heat distribution.

- The floating installation is not recommended on a radiant heating system because the floor must be fixed to the subfloor.

REQUIRED TOOLS FOR PROPER INSTALLATION

- Power Tools
- Table Saw, Electric Miter Saw, Band Saw, Chop Saw, Power Jamb Saw, or Jig Saw

Hand Tools

- Broom and dust pan or Vacuum
- Tape Measure
- Moisture meter (wood, concrete or both)
- Chalk line & chalk
- 3M Green Tape
- Hand saw
- Hammer
- Rubber mallet
- Tapping block
- Pry bar
- Filler stick and Touch-up marker
- Hardwood Floor Cleaner

Additional Tools for Glue-Down

- Recommended Adhesive & Adhesive Remover
- Trowel (Follow adhesive manufacturer's instruction)
- **Additional Tools for Staple-Down Installation**
- Pneumatic Stapler/Nailer (Oak and Style recommends the PRIMATECH Q-550)
- Staples/Flooring Nails
- Drill
- **Additional Tools for Floating Installation**
- 6 mil Polyethylene Vapor Barrier
- Foam Underlayment
- Floating Floor Glue

GLUED DOWN APPLICATION TECHNIQUE

STEP #1 – ESTABLISH A STARTING LINE

For best visual effect, it is recommended that flooring be installed parallel to the longest wall in the room. Using a chalk line, the area between the wall and the chalk line becomes your working area for starting installation, and your last installation area for completing the installation. REMINDER: The floor planks must be installed perpendicular to the floor joists.

STEP #2 – SPREAD THE ADHESIVE

Apply the recommended adhesive with a trowel according to the manufacturer installation instructions (found on the adhesive pail) for the specific adhesive that is being used.

STEP #3 – INSTALL THE STRIPS

Always select your strips with care. The more deeply colored strips should be installed where they are less visible. Pieces with flaws should be recut.

Using the working area to install your flooring, line up the first strip with the tongue facing the wall, then press the strip into the adhesive and against the holding block. Leave 1/4-inch (6 mm) between the wall and the end of each strip in each row.

Start the second row with a strip of at least 9 ½ -inch (25 cm) (fig. 3 A) shorter or longer than the strip used in the first row. This will avoid aligning or clustering the end joints.

Continue with the subsequent rows in the same manner.

To avoid shifting or gapping of the strips during installation, use 3M green tape to hold them together. Remove the tape within 24 hours. Avoid use of masking tape, which leaves an adhesive residue and may damage the finish.

When you get to the final row you will likely find it necessary to rip-saw the strips to fit against the wall. Install using the pry bar and leave ¼ inch (6 mm) (fig. 4 A, B) minimum expansion spaces.

STEP #4 – INSTALL THE TRANSITION PIECES

Install any transition piece that may be needed, such as stair nosing, and reducers. These products are available prefinished to blend with your flooring. Please install these first so that you can match the next board easier, color match on moldings cannot be guaranteed due to the natural characteristics of wood flooring.

Reinstall your baseboards and/or quarter round moldings. Be certain to nail the moldings into the wall, not the floor. Always keep a few spare strips from your initial installation for possible repairs in a sealed carton and properly stored. Wait 24 hours before moving furniture and appliances back into the area where flooring was installed.

NAILED / STRAPLED DOWN APPLICATION TECHNIQUE

SET-UP AND USE OF PNEUMATIC STAPLERS AND NAILERS

Read and follow the manufacturer's instructions for complete set-up and operation of equipment.

Make sure the adapter size for the pneumatic stapler or nailer matches the thickness of the flooring being installed and that the tool's adapter seats properly in the tongue of the flooring. Staples are not recommended for widths over 6".

Pneumatic nailer: Air pressure should be adjusted adequately for each species of hardwood floor installed and checked regularly (always try it before using).

FASTENER GUIDE

Fastener Gauge (GA)	Flooring Thickness
	9/16" (14mm) – 5/8" (15mm)
18 GA 1-1/2" Nail/Staple	X
18 GA 1-3/4" Nail	X

FASTENER SPACING

- 18 GA: 1" – 2" from the ends and every 4" - 5" along the edge tongues.
- 15.5 GA or 16 GA: 1" – 3" from the ends and every 6" – 8" apart along the edge tongues

STEP #1 – ESTABLISH A STARTING LINE

Using a chalk line, draw a guideline.

It is very important to start straight and square.

REMINDER: The floor planks must be installed perpendicular to the floor joists.

STEP #2 – INSTALL THE FLOOR

Always select your strips with care. The more deeply colored strips should be installed where they are less visible (i.e. in a closet or under the refrigerator). Pieces with flaws should be recut.

Use the longest, straightest strips available for the first row. Install the first row of flooring with groove facing starter wall.

The first few rows must be nailed down by hand rather than with the nailing machine because of the vertical wall obstruction. Nailing interval should be at 6 inches. Leave 1/4-inch (6 mm) (fig. 4 A, B) between the wall and the end of each strip in each row.

Start the second row with a strip of a least 9 ½ -inch (25 cm) (fig. 3 A) shorter or longer than the strip used in the first row. This will avoid aligning or clustering the end joints.

When the area is free from wall obstruction, you can repeat the installation using a pneumatic stapler.

It is also likely that you may have to rip-saw the strips to fit the final row against the wall. Leave 1/4 -inch (6 mm) (fig. 4 A, B) minimum expansion spaces. Finally, install the transition pieces, baseboards and/or, quarter round moldings.

FLOATING APPLICATION TECHNIQUE

STEP #1 – INSTALL UNDERLAYMENT

It is recommended to use an underlayment that is approved for a Floating Engineered Hardwood application. The underlayment should not exceed 3mm in thickness. Excessive pad compression or compaction is a common cause of seam failure.

*If installed on concrete, a vapor barrier underlayment is required.

REMINDER: The floor planks must be installed perpendicular to the floor joists.

STEP #2 – PREPARING THE STARTER ROWS

It is very important that enough expansion gaps are kept between the flooring and all the walls. This is done by placing ¼ inch (6 mm) (fig. 4 A, B) spacers every 8 inches apart around all vertical walls. Measure the width of the room – perpendicular to the direction you intend to install the flooring.

The last row of flooring should be no less than 1 ½ inch wide. If it is less, you should rip-saw the starter row narrower. Leave 1/4-inch (6 mm) (fig. 4 A, B) between the wall and the end of each strip in each row.

Start the second row with a strip of at least 9 ½ -inch (25 cm) (fig. 3 A) shorter or longer than the strip used in the first row. This will avoid aligning or clustering the end joints.

STEP #3 – GLUING THE FLOOR

In a floating floor installation, the flooring is not glued or nailed to the underlayment, but is glued in the board's side. This is achieved by applying a bead of glue on the upper side of the groove along the entire length with Estaparket's silicone- based T&G glue. Turn the board upside down when applying the adhesive to achieve proper application, when the board is turned again for installation with the finish side up, this will allow the adhesive to flow down and give better coverage. Do not apply adhesive on the top of the tongue.

The floor must not be fixed to any surface. An expansion joint of at least 1,5 cm (5/8") is required for any fixed element. See the chart below.

Expansion Space	Maximum width	Maximum length
1/2 po (13 mm)	26 pi (8 m)	52 pi (16 m)
3/4 po (19 mm)	40 pi (12 m)	80 pi (24 m)

When the dimensions exceed the values above, use a T-molding. Rooms and corridors should be isolated from other rooms using transition molding. (ex.: bedrooms adjacent to the hall or living room adjacent to the hallway, etc.) Do not place heavy objects over an installed floor. Be sure to leave 1,5 cm (5/8") around every obstruction including heavy objects, such as cabinets, counters, kitchen island and fireplace.

Install the first row of flooring with groove facing starter wall. Use a tapping block and a mallet to gently push or tap the glued strips together until no gaps are seen and making sure that end joints are square.

At the end wall use a pry bar, if needed, to pull the ends of the boards tight. Continue laying the floor on top of the underlayment, working left to right, tapping the strips tight together. Make sure to continue using ¼ inch spacers along the wall throughout the installation.

To avoid shifting or gapping of the flooring during installation, lay perpendicular strips of 3M blue tape to hold the strips together. Remove the tape within 24 hours. Avoid use of masking tape, which leaves an adhesive residue and may cause damage to the finish.

The last row will most likely require cutting to width but it should be no less than 1 ½ inch wide. To do this, place a full row of strips on top of the last row installed. Insert a ¼ inch spacer against the wall, and using a full width strip, trace distance from wall onto final row. Cut strips for final row to designated width. Apply glue and pull into place with a pry bar.