

## FLOOR LAYING INSTRUCTIONS

---

### ARBITON AMARON HERRINGBONE CLICK

#### **NOTICE!**

In order to eliminate colour discrepancies, during a given investment, it is recommended to use panels from a single production batch for installation. Before the installation, it is absolutely necessary to check the production batch, whose number can be found on each packaging.

#### **NOTICE!**

Before the installation, the panels must be carefully checked for material defects, especially decorative surface defects, mechanical damage of locks as well as colour or gloss discrepancies. The variety and frequency of structures, wooden rings and knots, the presence of whitened wooden rings or cracks are elements of the design and do not constitute product defects. The installation of panels is regarded as the product acceptance and no damage and/or colour discrepancies as well as design varieties listed above can be the grounds for any subsequent claims regarding the product.

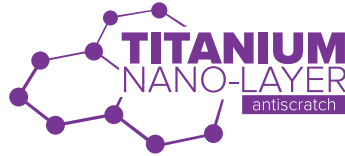
It is recommended that the panels be sorted according to the designs and shades before they are laid, and then the panels must be installed alternately in order to obtain the satisfactory uniform effect of variety in the room area. The panels should always be laid towards the main light source in order to obtain the best possible visual effect.

The open packaging must be used immediately (see-> PREPARATION, section No. 8)





STRONG & SILENT  
**CLICK FLOOR**

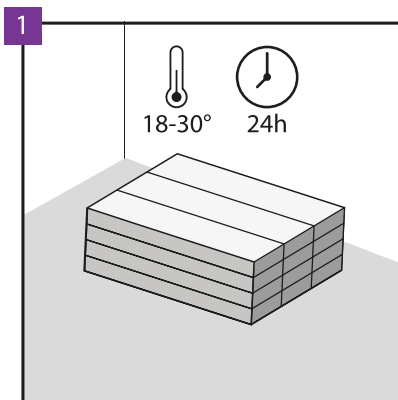


**AMARON**  
COLLECTION

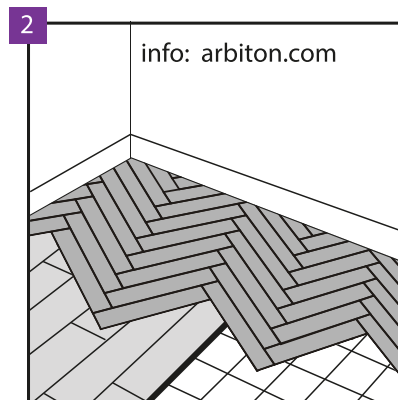


## PREPARATION:

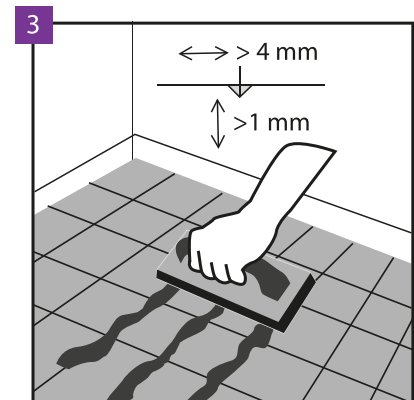
18-30°C 40-65%



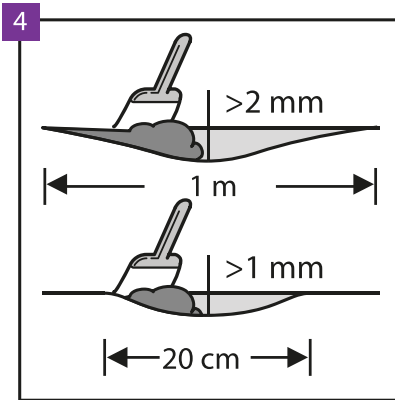
It is recommended to maintain caution during the transport and storage of panels. It is recommended to transport and store the product in a lying position. The packaging must not be placed vertically, stored in wet or dusty premises or in locations exposed to the impact of extreme temperatures. Before their installation the panels must be subjected to the 24-hour acclimatisation at the temperature of 18-30°C, in the premises where they will be installed. In the event of transport or/and storage at the temperature below +5°C, the time acclimatisation must be extended to 48 hours.



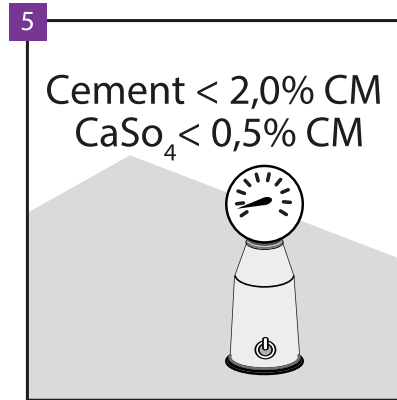
The type of substrate, its quality and preparation, especially any irregularities, have a decisive impact on the final effect. Panels are suitable for installation on cement and anhydrite floors, self-levelling grouts, on ceramic tiles, glued parquet, glued PVC floor coverings and linoleum as well as floors made of OSB boards or plywood with their lack of deflection and moisture content in wood below 10%. The installation on floating floors such as layered plank and laminated panels is allowed provided that a substrate with the CS = 200 kPa and vapour-insulation barrier with SD >75 m was laid under them properly. Do not lay the panels directly on fitted carpets and other soft floor covers. Before the installation, the underlay and the floor cover must always be lined with acoustic-levelling underlay indicated by the guarantor. Failure to lay the underlay or the laying of the improper underlay will result in the loss of the warranty and high risk of damage to the panels.



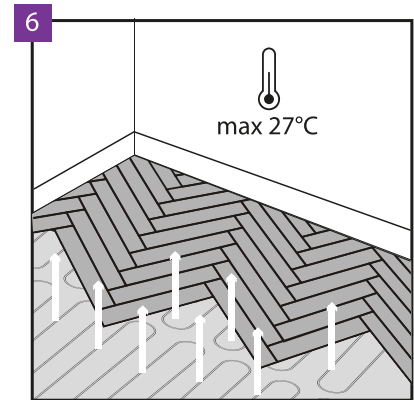
In the case of installation on the substrate covered with ceramic tiles, fill the tile joints with the gap wider than 4 mm and deeper than 1 mm with a durable compound for the filling of points, e.g. resin grout. Installation is allowed on tiles with grouts not wider than 5 mm and 1 mm deep without using levelling compound, provided the Arbiton or Ewifoam brand underlay, which is designed for installation of rigid and LVT floors.



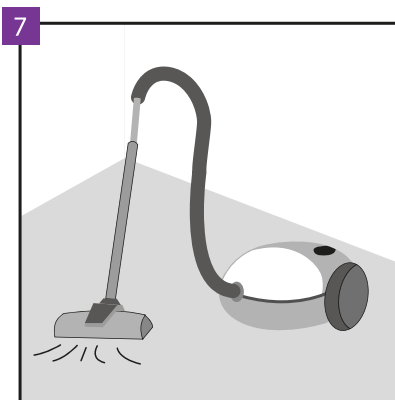
Make sure that the substrate is completely flat. All substrate irregularities exceeding 1 mm, with a length greater than 20 cm, or exceeding 2 mm with a length greater than 1 m must be levelled. Check if the use of the priming or sealing material is necessary. In order to prepare the substrate perfectly, spread the grout or the self-levelling compound on the entire surface.



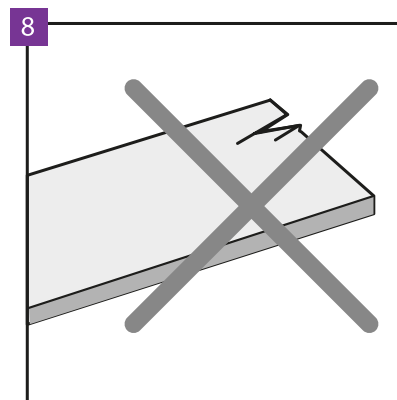
In the case of the cement grout, the moisture content in the substrate must be lower than 2.0%, and in the case of the anhydrite grout, it must be lower than 0.5%. In the case of installation with the underfloor heating, the above-mentioned values must be 1.5% and 0.3% respectively.



The floor panels may be applied on the substrate with underfloor heating, provided that the maximum temperature of the floor surface is maintained at the level of 27°C. The underfloor heating must be switched off one day before the installation, and after the panels are laid, wait for another day and gradually switch on the underfloor heating (5°C per day). It is allowed to install the floor over the water floor heating or electric floor heating (sunk in the substrate) which guarantee the aforementioned temperature ranges. It is not recommended to perform the installation directly on the electric heating mat.



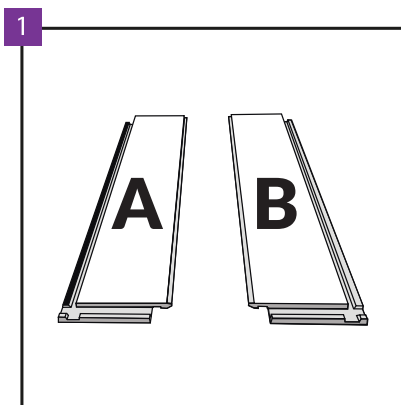
Make sure that the substrate is dry, flat, stable and free of any grease or chemical substances. The protruding irregularities must be scratched off and removed. Before the installation, the ground must be swept and vacuumed carefully so as to remove any contamination. It is necessary to repair any more serious imperfections of the substrate and large cracks.



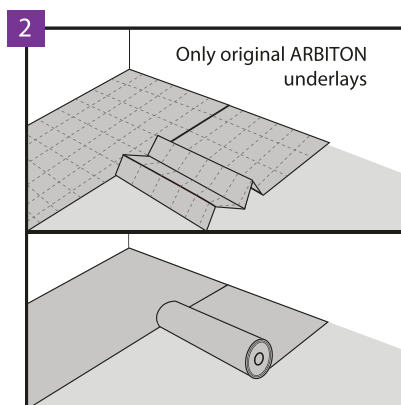
Before and during the installation, control all the panels in the optimal lighting conditions. Do not use defective panels.

## FLOOR PANELS LAYING:

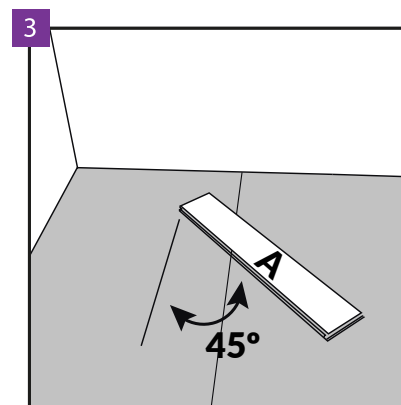
🌡️ 18-30°C 💧 40-65%



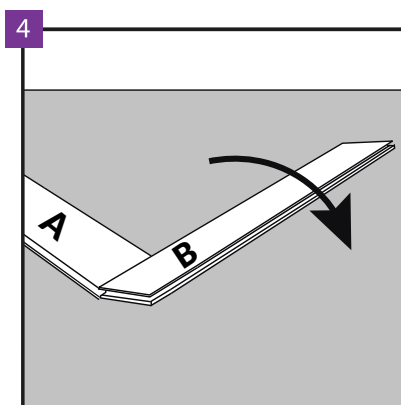
Each package contains two types of panels: A and B. The individual panels are marked at the bottom as A or B for easier differentiation. Parts A and B must be sorted separately before the installation. During installation, it is very important to ensure that panels A and B are installed at the right places in the row (see -> panels laying, point 7; 9 and 10).



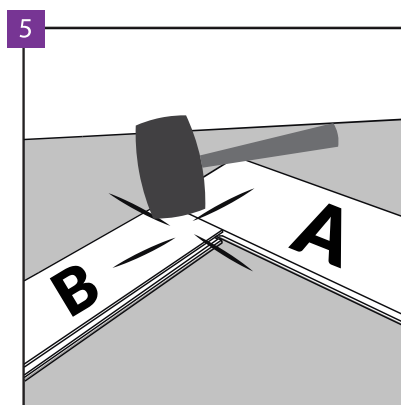
Make sure that the substrate is properly prepared. Then lay the Arbiton or Ewifoam brand underlay, which is designed for installation of rigid and LVT floors. The neighbouring ribbons of underlay must fit tightly and must be joined by means of an overlap or Arbiton or Ewifoam AluTape, without leaving any redundant space.



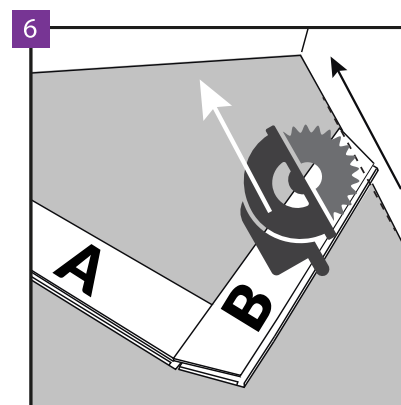
Start the installation from left to right from panel A, which should be rotated at 45°. The edge panels along the wall should be cut to size at 45° matching the walls. NOTE! Taking care to keep the appropriate wall expansion joints (see installation, Figure 15).



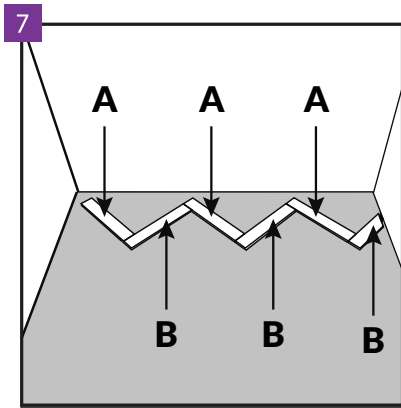
Mount (jam) without driving panel B in with the movement indicated in the figure above.



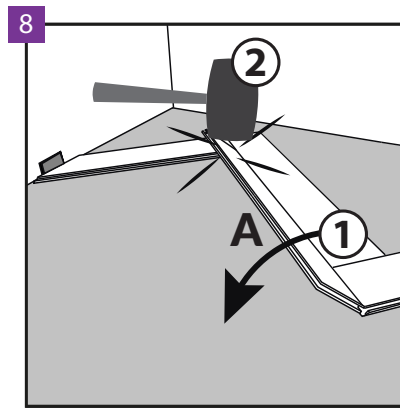
Then put panel A. Then connect panel B to panel A using a rubberized hammer. Note! Each panel contains only 1 lock that can be pinned down. Other locks must be installed without driving in (see installation, Figure 4). Note! Try the lock very carefully before driving in (lack of precise fit of the lock and then driving the panel in will cause its damage, which will result in rejecting a possible claim).



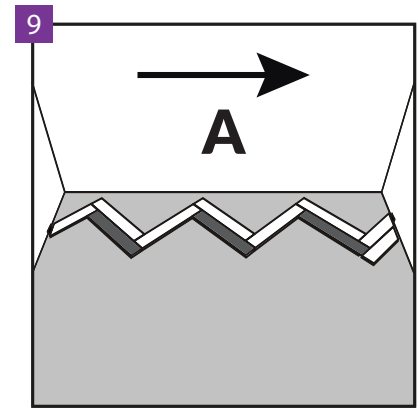
Install next B panel in the same row (see floor installation manual – Fig. 4). Cut the panel making sure to use proper wall expansion joints (see floor installation manual – Fig. 15).



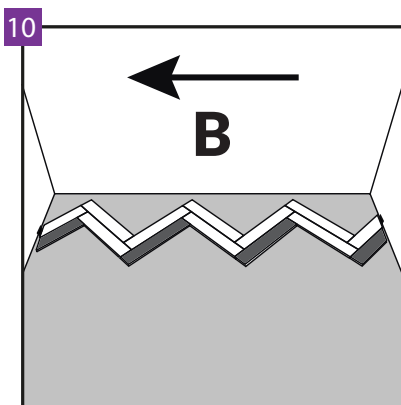
The first row should consist of alternately arranged panels, which will be mounted in exactly the same way as in the presented figure.



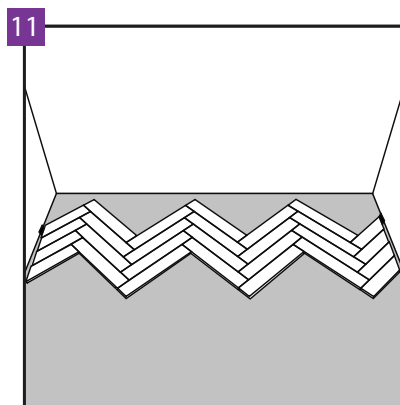
Laying of the second row should also be started with panel A. Please keep the rules in mind at all times concerning installation of the panels – when driving panel B in to panel A, the long sides are installed by jamming, while the short sides are assembled by driving in.



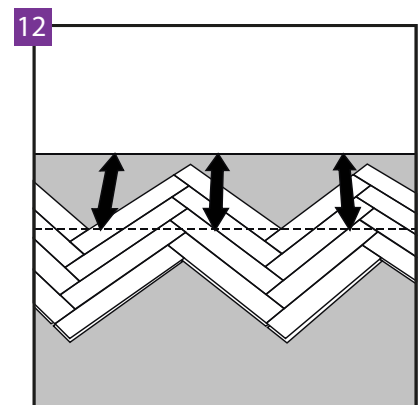
It is very important that the installation of each row is done according to the principle that panels A are installed in the right direction.



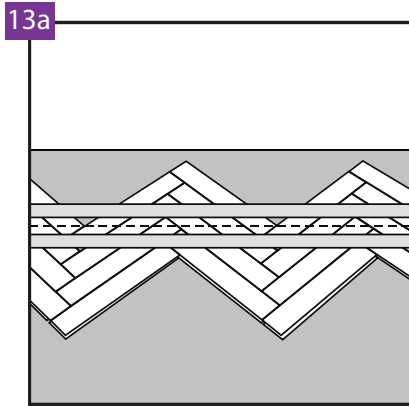
It is important that the assembly of each row is carried out with the principle that we assemble panels B to the left, i.e. the opposite direction of the assembly of panels A.



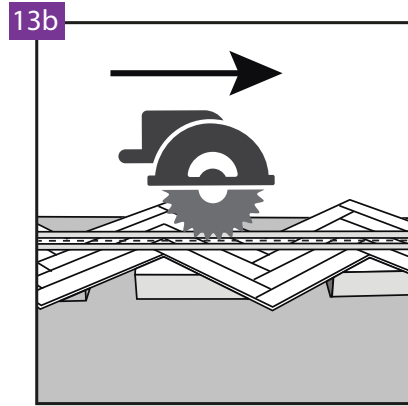
Laying of each successive row should be done as shown in figures 9 and 10.



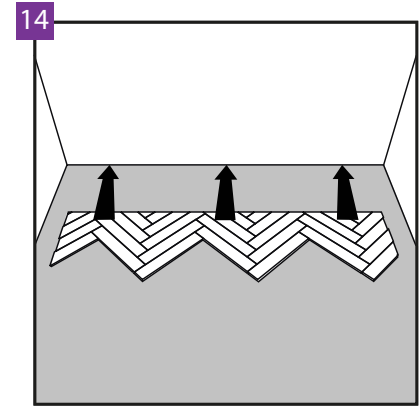
After laying four full rows of panels. Set the line along which the floor will be cut so that the resulting fragment can be moved towards the wall.



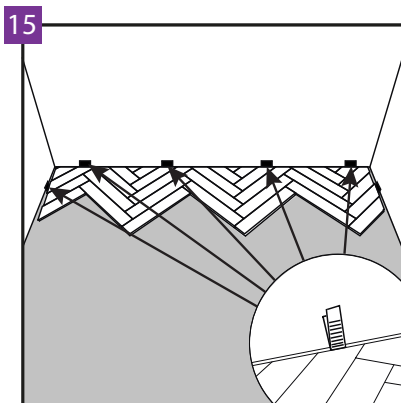
We recommend cutting the panels using a circular saw or a guide saw.



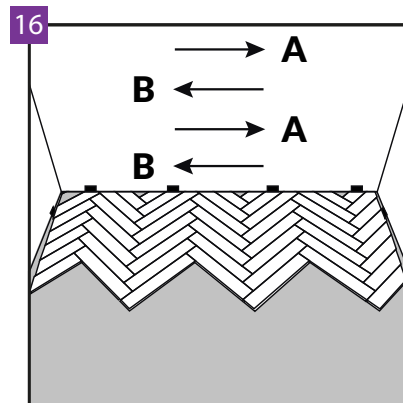
When cutting, we recommend using spacers that must be placed under the floor to avoid damaging the underlay. The height of the spacers should be adjusted according to the guidelines specified by the manufacturer of the circular saw or guide saw.



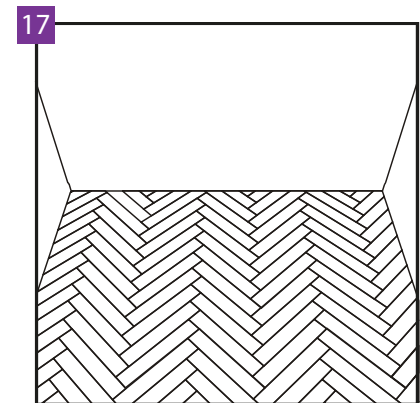
The cut floor should be pushed to the wall with the expansion joint in mind.



Leave 5 mm of perimeter space at the walls to allow the floor expansion. The maximum surface which can be laid without additional expansion joints is 200 m<sup>2</sup>. Above this surface, apply an additional expansion joint and enlarge all the expansion joints up to 10 mm. The maximum length of the floor surface in one direction, which can be laid without additional expansion joints is 20 m. Above this length, apply an additional expansion joint and enlarge all the expansion joints up to 10 mm.

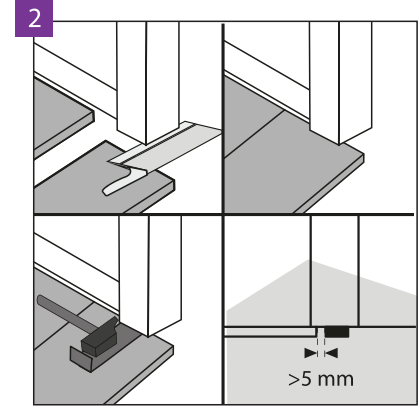
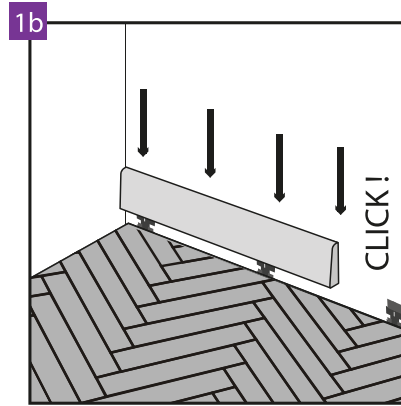
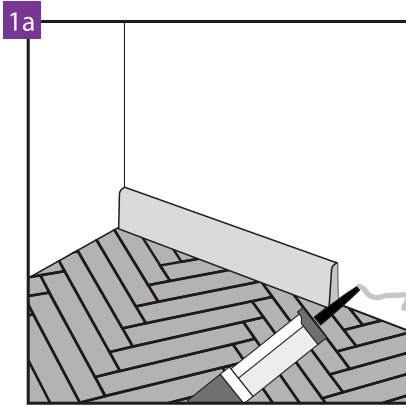


Continue laying the following floor rows in accordance with the installation rules (see Figures 7; 9 and 10).



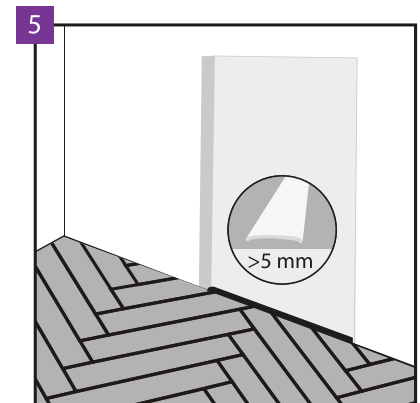
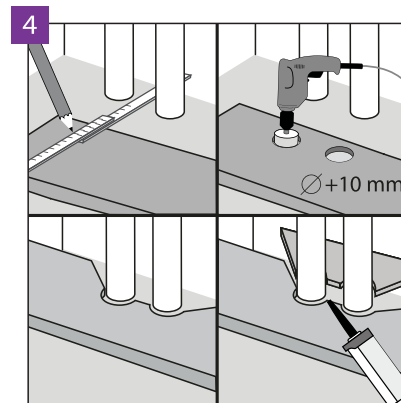
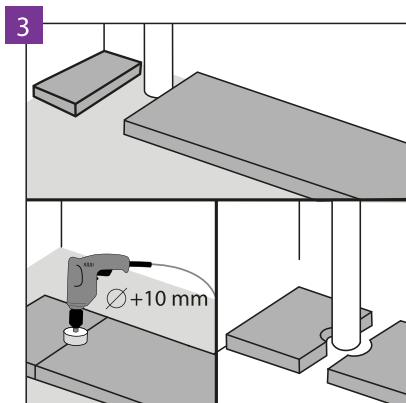
Following the rules described above, continue laying the floor until the work is completed.

## FLOOR FINISH



Expansion joints along the walls must be covered with a decorative strip, assembling it by means of glue or special clips. It is recommended to use the Arbiton strips dedicated to a given panel, which guarantee the excellent colour match and the coat resistant to scratching.

At the doors, it is recommended to undercut the profiles of door frames and leave free space over the installed panel so as not to limit its possible movement.



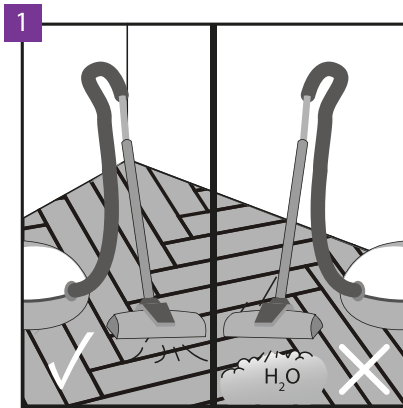
In the case of vertical pipes embedded in the substrate, leave free space around the pipes. Holes for the pipes must be drilled with a drill bit with a diameter that is bigger than the pipe diameter by 15 mm.

Act similarly in the case of a bigger number heating system pipes. The cut panel elements must be joined with the assembly adhesive for plastic elements.

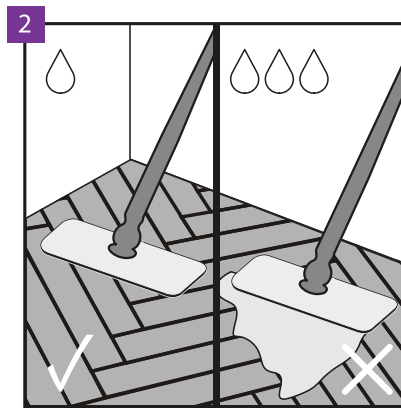
The application of the 5 mm expansion joint in the door opening between the rooms, which allows for the elimination of stresses, is recommended in the following cases: the irregular shape of the floor surface in the neighbouring rooms, the placement of heavy furniture in one of the rooms or the application of the underfloor heating only in one of the joined rooms. In the case of an area bigger than 200 m<sup>2</sup> or longer than 20 m, the expansion joint must be enlarged to 10 mm.

## USE AND MAINTENANCE:

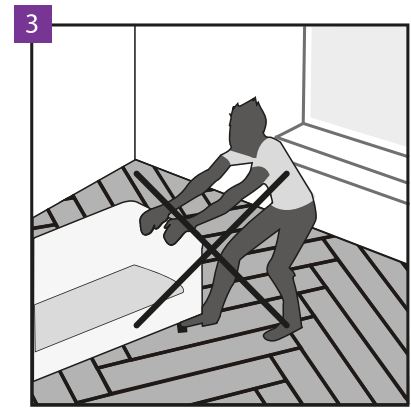
🌡️ 18-30°C 💧 40-65%



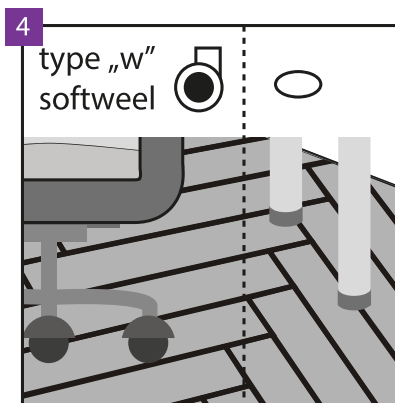
The Arbiton floor may be cleaned with a vacuum cleaner, however, it is prohibited to use steam cleaning devices.



The Arbiton floor can be cleaned with a damp or wet mop.



The movement of heavy objects along the floor is not allowed. They must be moved only after they are lifted.



Used office chairs with W-type castors, protecting the floor additionally by means of the protective net. The furniture legs must be provided with protective pads which provide protection against scratching, e.g. made of felt.